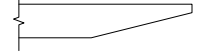


POWER OPTION

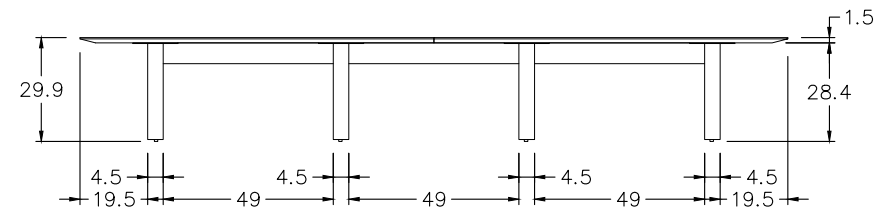
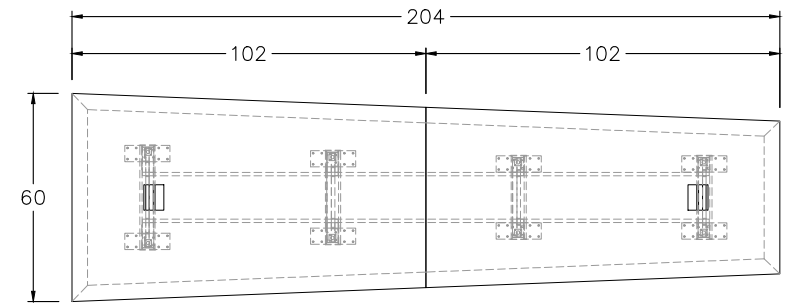
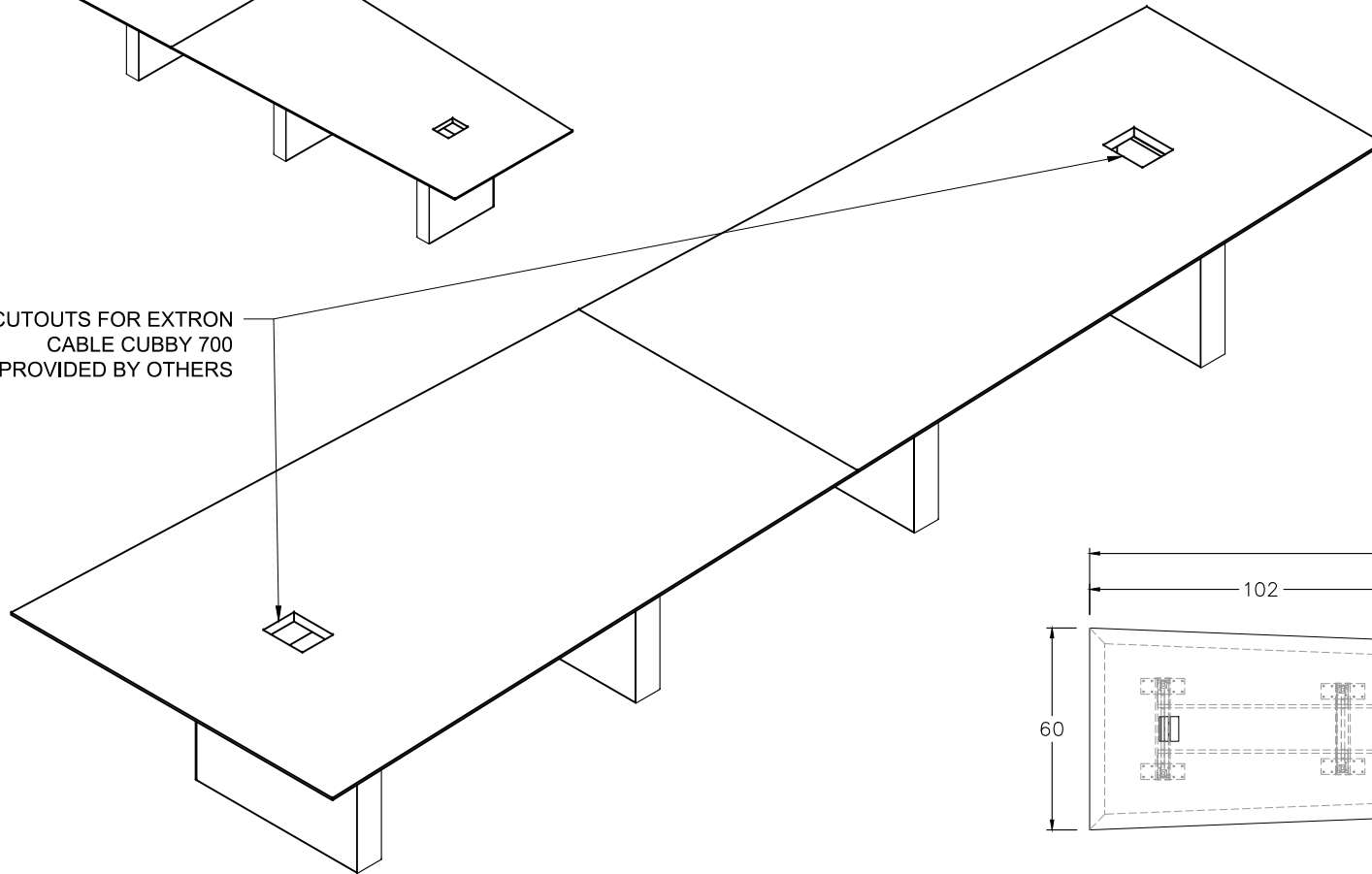
N/A

EDGE PROFILE

BEVEL SELF EDGE, 1.5" TH



CUTOUTS FOR EXTRON
CABLE CUBBY 700
PROVIDED BY OTHERS



CSR: TRISH	
CREATED: 05/16/24	JES
REVISION DATE: 05/16/24	JES
PDF: 051624-1-ISO	
E:\TUOHY\SALES ENGINEERING\SALES DRAWINGS\TJS\051624-1	

<i>PROJECT:</i>	TIAA - WASHINGTON DC
<i>TAG:</i>	-

<i>FINISHES:</i>	
VENEER:	
PAINT:	
LAMINATE:	
STONE:	
GLASS:	
SOLID SURFACE:	
FABRIC:	



This drawing is for visual purposes only. Dimensions are nominal.
This drawing is the property of Tuohy Furniture Corporation.
Unauthorized reproduction is unlawful.
We reserve the sole right to manufacture and distribute any design represented within this document.