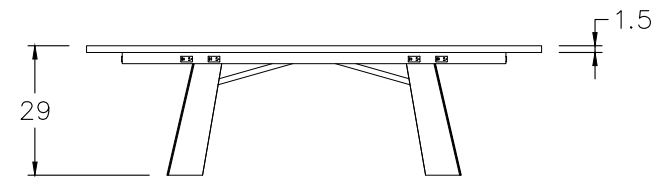
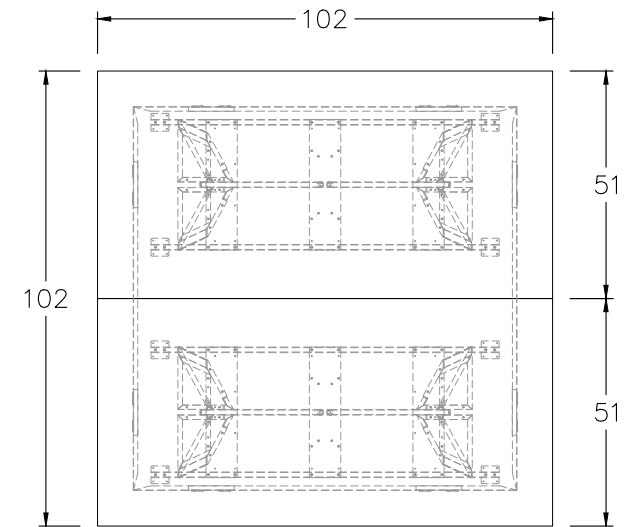
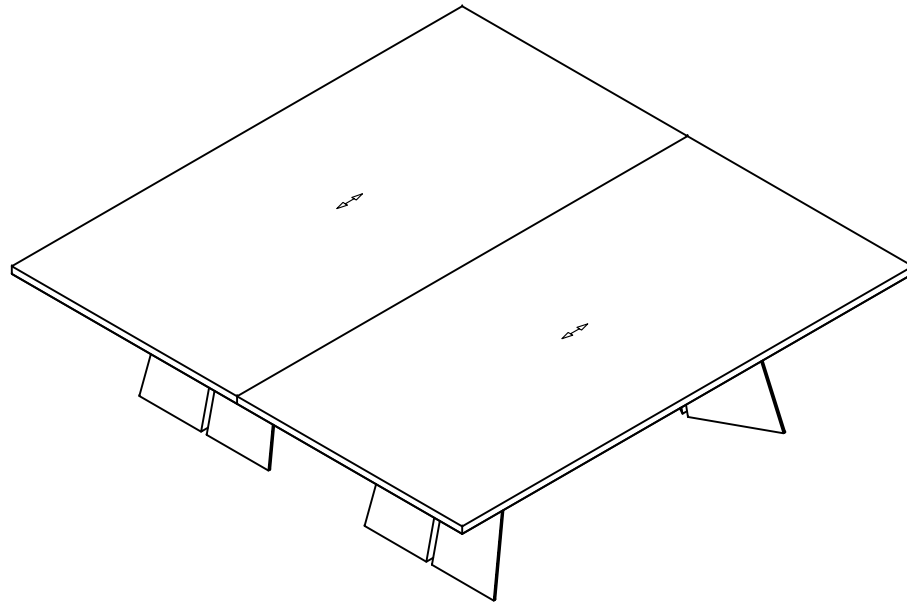


POWER OPTION

POWER DATA APRON INCLUDES (8) STATIONS
 EACH STATION HAS (2) POWER OUTLETS (2) USB A+C
 UNITS ARE (8) WIRE (4) CIRCUIT SYSTEM, MEANT TO BE
 SINGLE HARDWIRE INLET, UNITS TO BE DAISY CHAINED.

EDGE PROFILE

SQUARE SELF EDGE, 1.5" TH




NOTES:

- * (MBSS) BRUSHED STAINLESS STEEL TIE RODS
- * (MRB) RESIN BLACK SUPPORT RODS

CSR: TRISH	
CREATED: 05/15/24	JES
REVISION DATE: 05/16/24	JES
PDF: 051524-1-ISO (2)	
E:\TUOHY\SALES ENGINEERING\SALES DRAWINGS\TJS\051524-1	

<i>PROJECT:</i>	XEROX
<i>TAG:</i>	8' 6" SQUARE TABLE

<i>FINISHES:</i>	VENEER: WOOD1
	PAINT:
	LAMINATE:
	STONE:
	GLASS:
	SOLID SURFACE:
	FABRIC:



TUOHY

This drawing is for visual purposes only. Dimensions are nominal.
 This drawing is the property of Tuohy Furniture Corporation.
 Unauthorized reproduction is unlawful.
 We reserve the sole right to manufacture and distribute any design
 represented within this document.