

INSTALLATION GUIDE
Rhoi Tables

April 8, 2020

TUOHY



Table of Contents

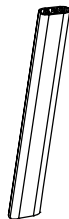
Hardware / Parts List	1
Typical Connections	2
Rectangle, Square, & Super Ellipse Table Base Layout	5
Round & Triad Table Base Layout	6
Top Attachment Details	7

HARDWARE / PARTS LIST:

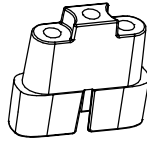
Table Base Components



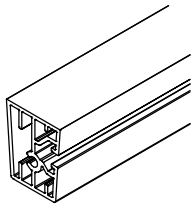
Wood Leg



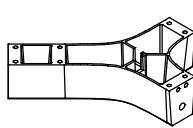
Aluminum Leg



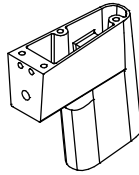
Leg Tenon



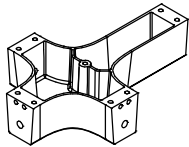
Beam
(Size Varies)



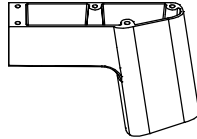
Y-Knuckle



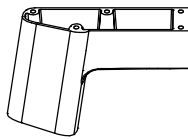
Mid Knuckle



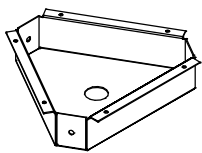
X-90 Knuckle



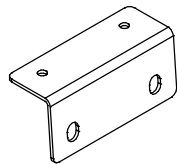
Left Hand Corner
Knuckle



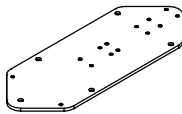
Right Hand Corner
Knuckle



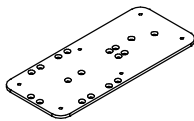
3-Leg Center Table
Connection



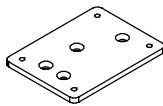
Attachment Angle



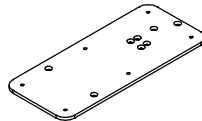
Corner Mounting
Plate



Middle Mounting
Plate

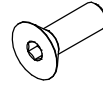


Triad Mounting
Plate



Round 4-Legged
Mounting Plate

Fasteners



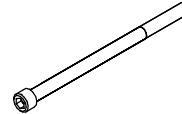
1/4-20 x 3/4"
Flat Head Socket Cap Screw



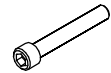
5/16-18 x 0.5"
Socket Head Cap Screw



5/16-18 x 1.5"
Socket Head Cap Screw



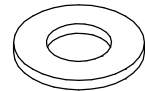
5/16-18 x 5"
Socket Head Cap Screw



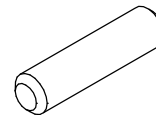
5/16-18 x 2"
Socket Head Cap Screw



5/16-18
Nut



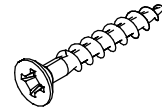
1/8" Washer



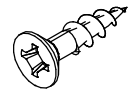
3/16 x 3/4"
Steel Pin



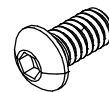
#9 x 5/8"
Pan Head Screw



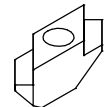
#9 x 1-1/4"
Flat Head Screw



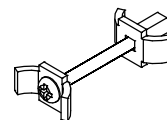
#9 x 3/4"
Flat Head Screw



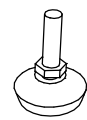
1/4-20 x 1/2"
Button Socket Cap Screw



1/4-20
Drop-In T-Nut



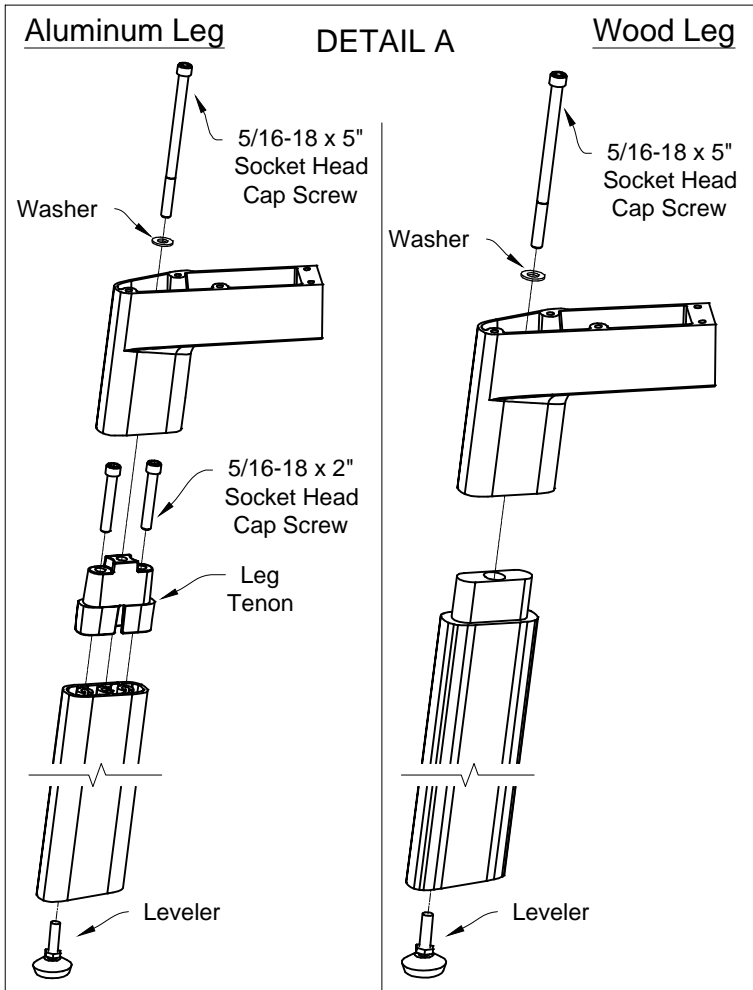
Field Joint



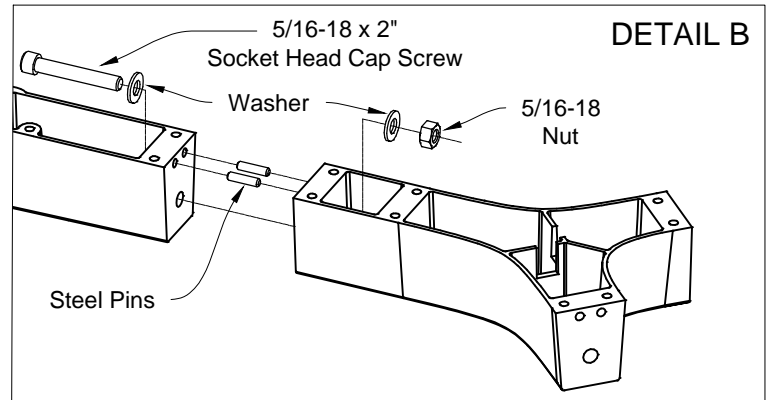
Leveler

TYPICAL CONNECTIONS

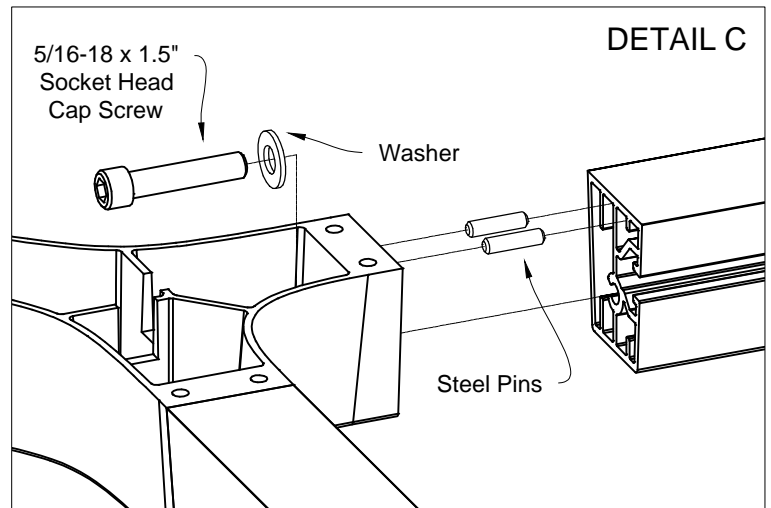
CORNER & MIDDLE KNUCKLE TO LEG:



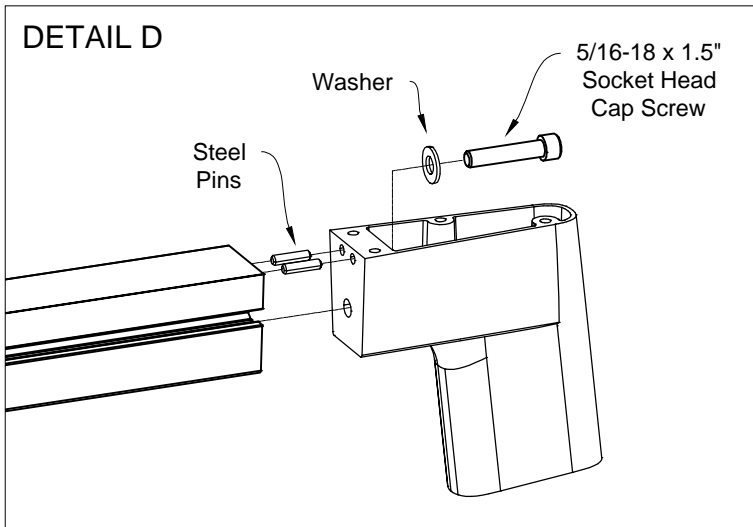
CORNER & MIDDLE KNUCKLE TO Y-KNUCKLE:



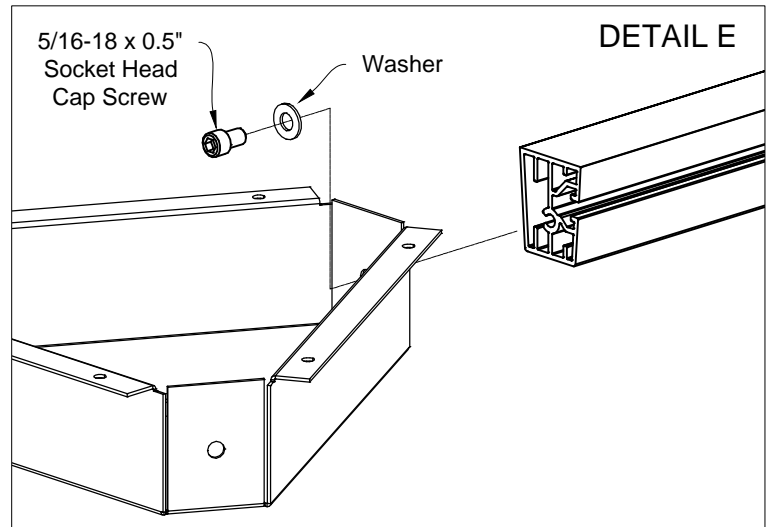
Y-KNUCKLE & X-90 KNUCKLE TO BEAM:



MIDDLE KNUCKLE TO BEAM:

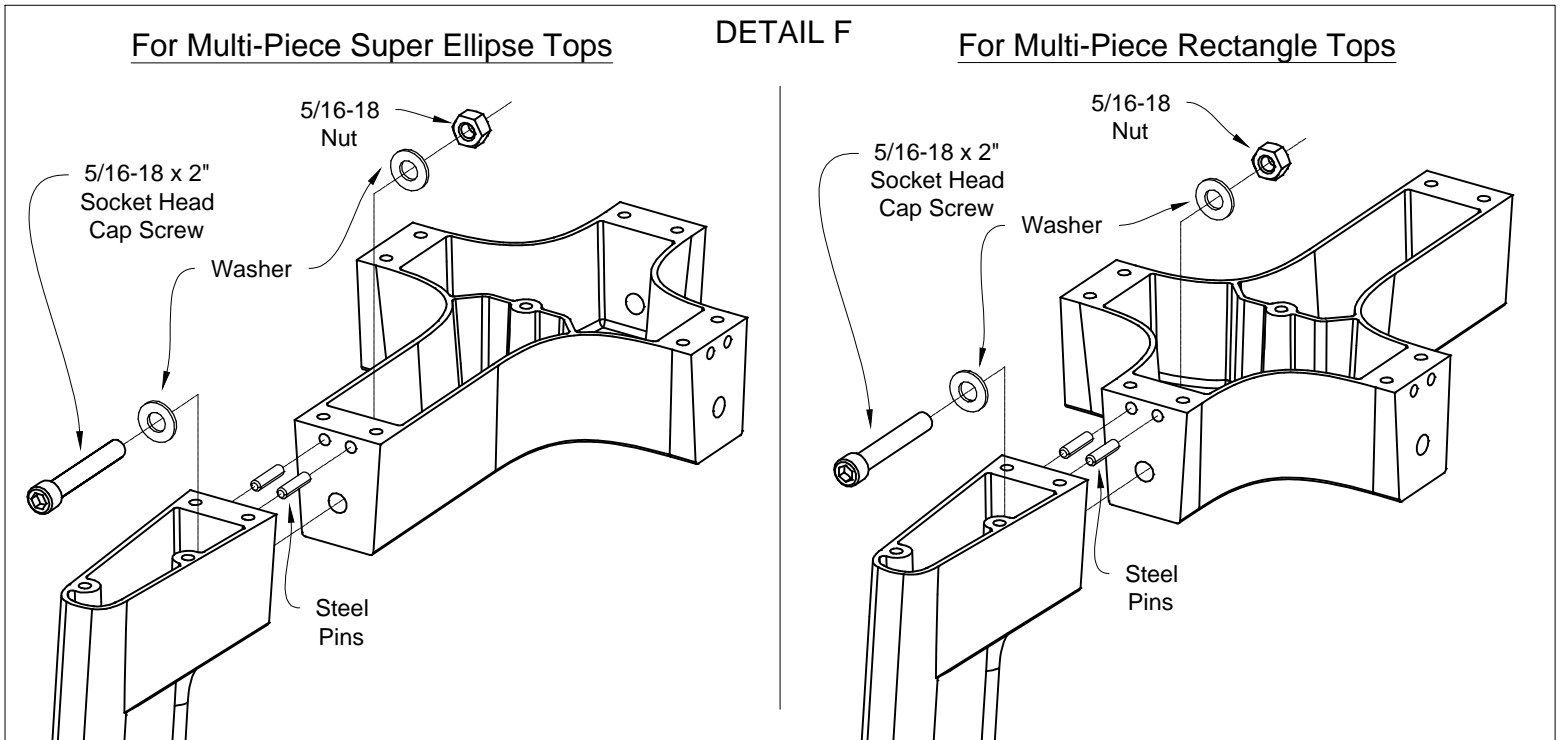


3-LEG CENTER TABLE CONNECTOR TO BEAM:



TYPICAL CONNECTIONS

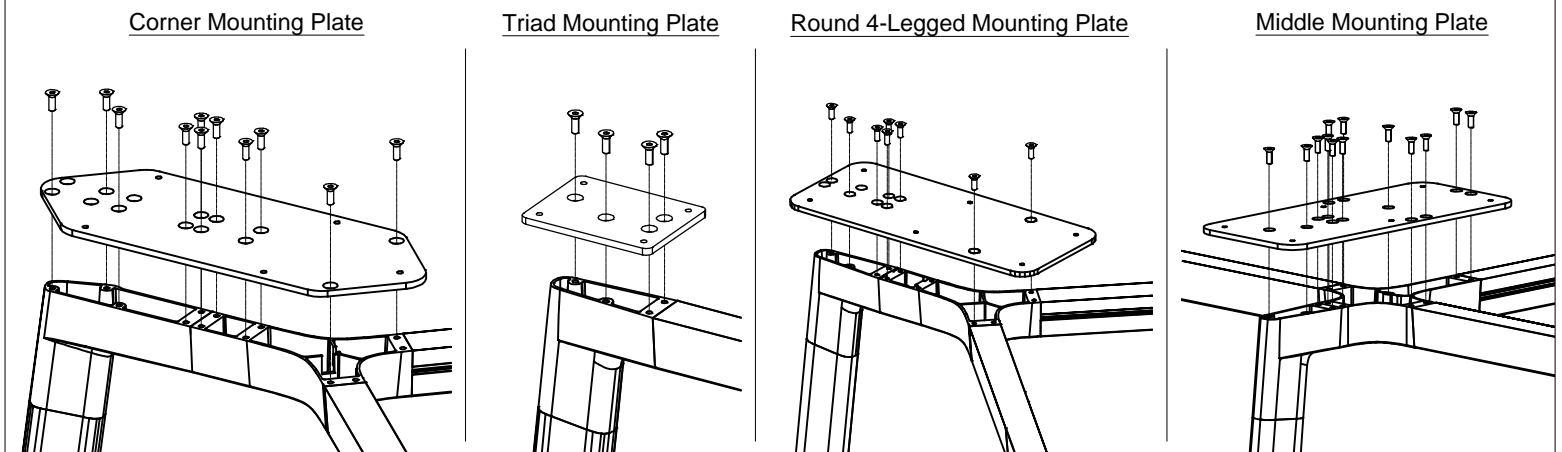
X-90 KNUCKLE TO MIDDLE KNUCKLE:



MOUNTING PLATES:

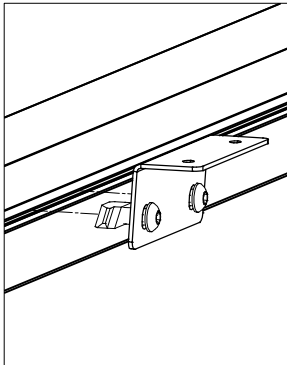
DETAIL G

** All mounting plates attach with 1/4-20 x 3/4" Flat Head Socket Cap Screws.
(May not use all holes in mounting plates)



TYPICAL CONNECTIONS

Typical T-Nut Fastener Installation Instructions

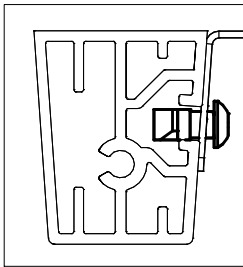
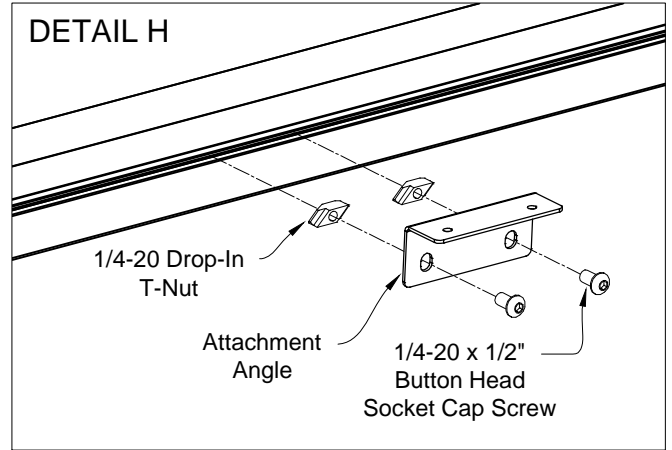


These General Instructions Shall Apply to All Bracket and Plate Connections that Require T-Nut Fasteners as Part of the Connection.

- Insert 1/4-20 x 1/2" BHSCS Thru Hole in Plate / Bracket & Thread T-Nut 2-Turns Onto Bolt. Repeat for Rest of Connection Holes.
- Next, Align T-Nuts so they Match the Extrusion Being Connected & Depress Into Channel.

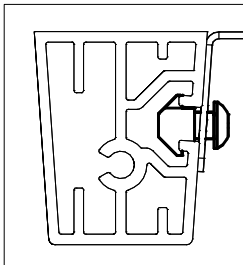
ATTACHMENT ANGLE TO BEAM:

DETAIL H

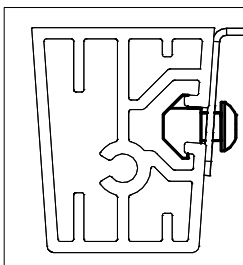


- Should Look Like This Before Further Tightening Takes Place.

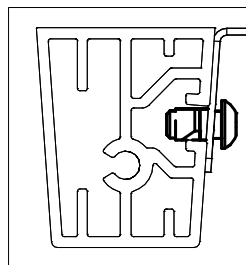
ATTENTION :



- As Initial Tightening of Each BHSCS Begins, T-Nuts Must Pivot in Channel Engaging the Shoulders of T-Nut Against the Walls of the Channel.
- Pay Special Attention that Each T-Nut "Engages" Before Continuing to Tighten Each Bolt.



CORRECT

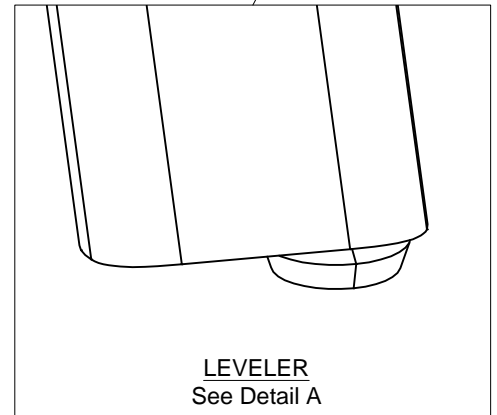
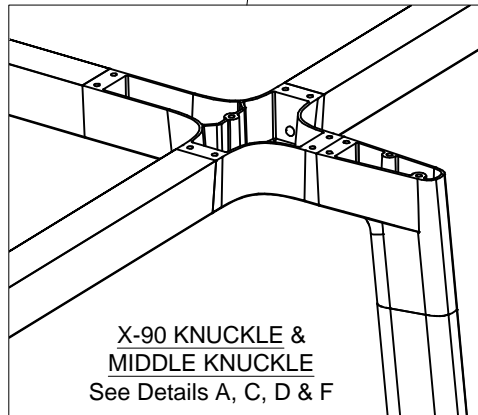
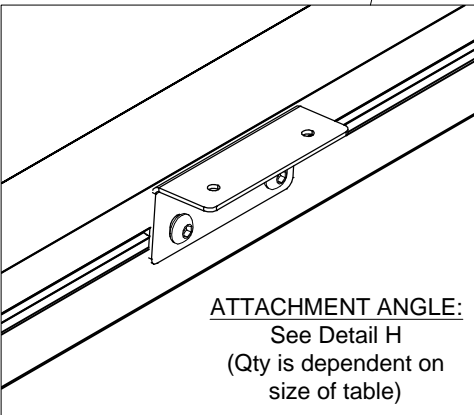
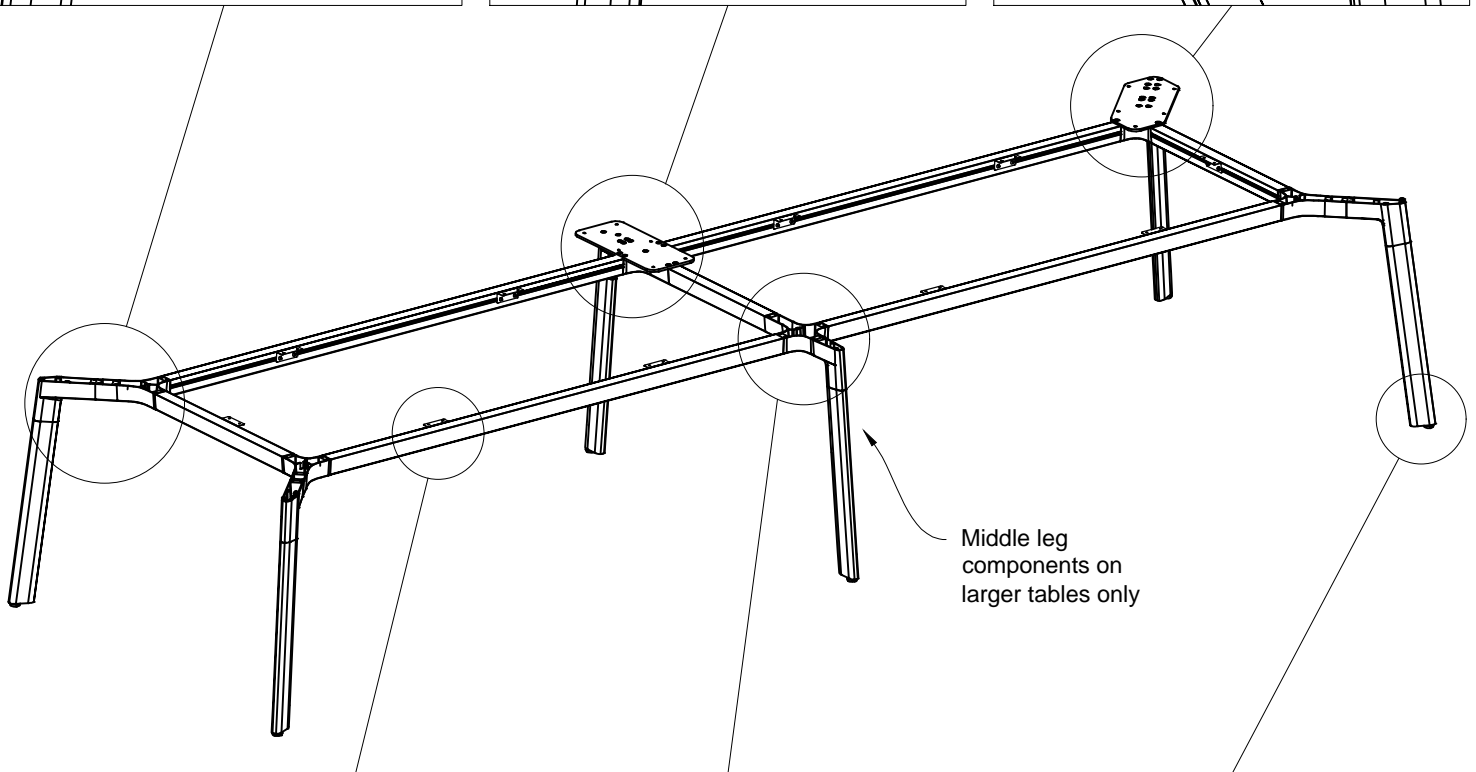
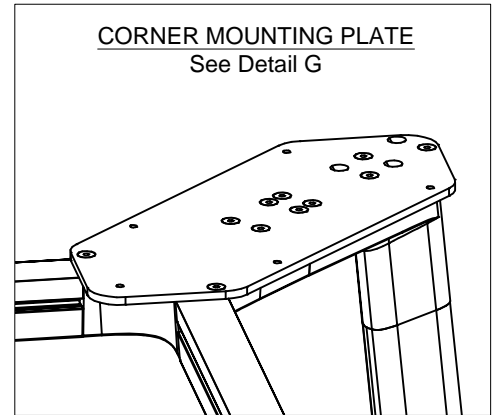
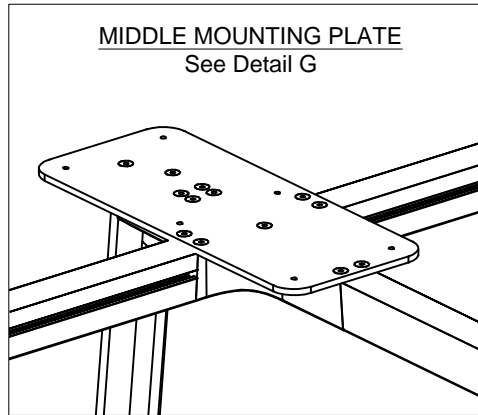
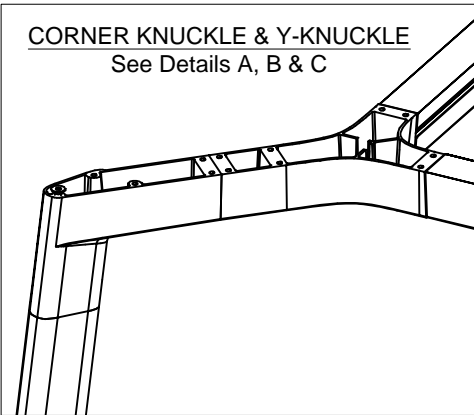


INCORRECT

Shoulders Did Not Engage Into Sides of Channel.

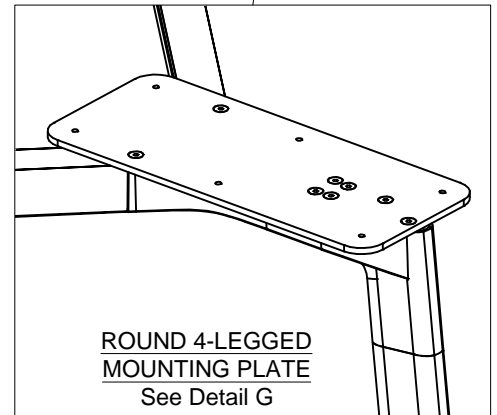
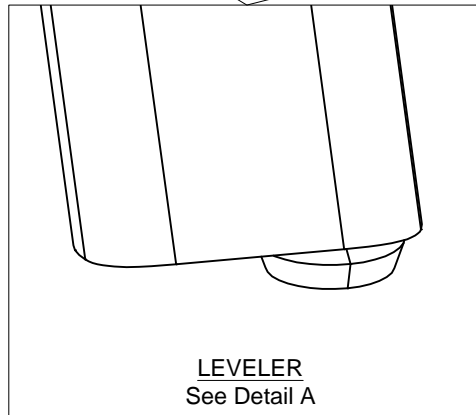
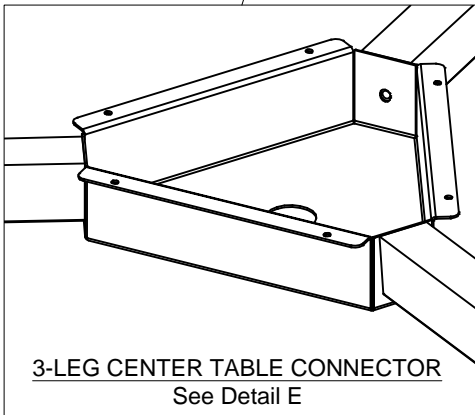
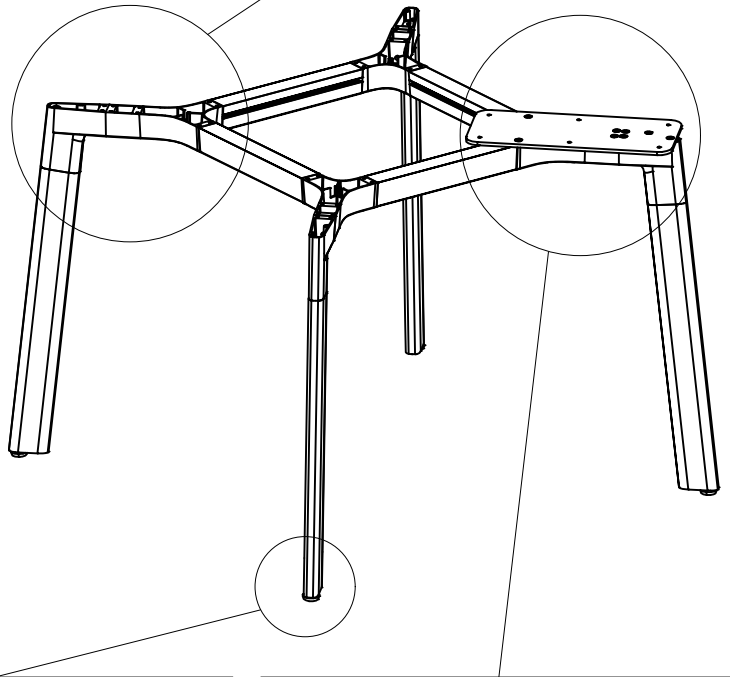
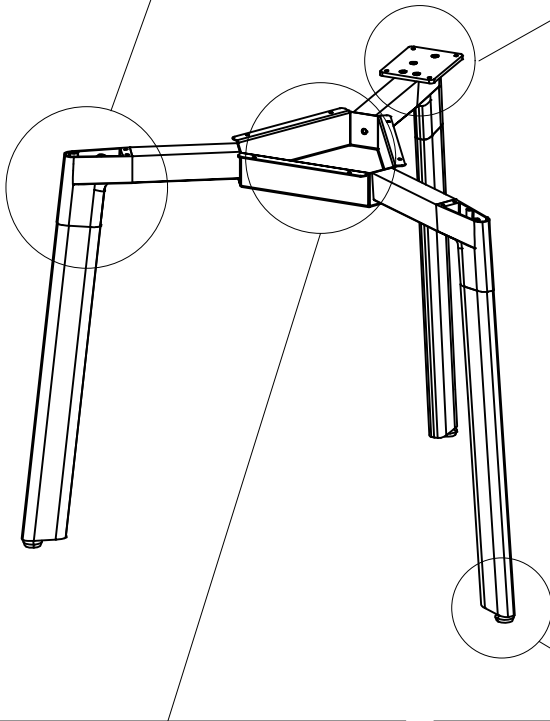
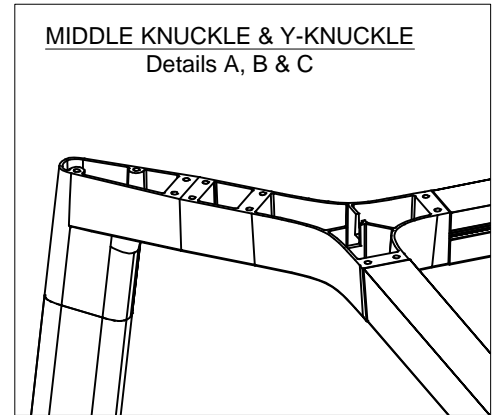
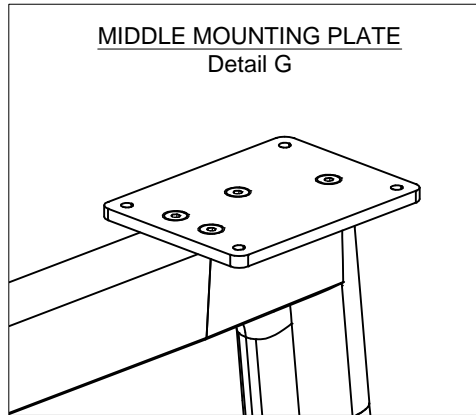
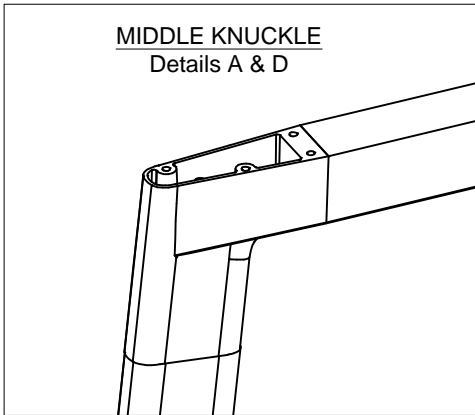
RECTANGLE, SQUARE & SUPER ELLIPSE TABLE BASE LAYOUT

** See Typical Connections on pages 1-3 for connection details.



ROUND & TRIAD TABLE BASE LAYOUT

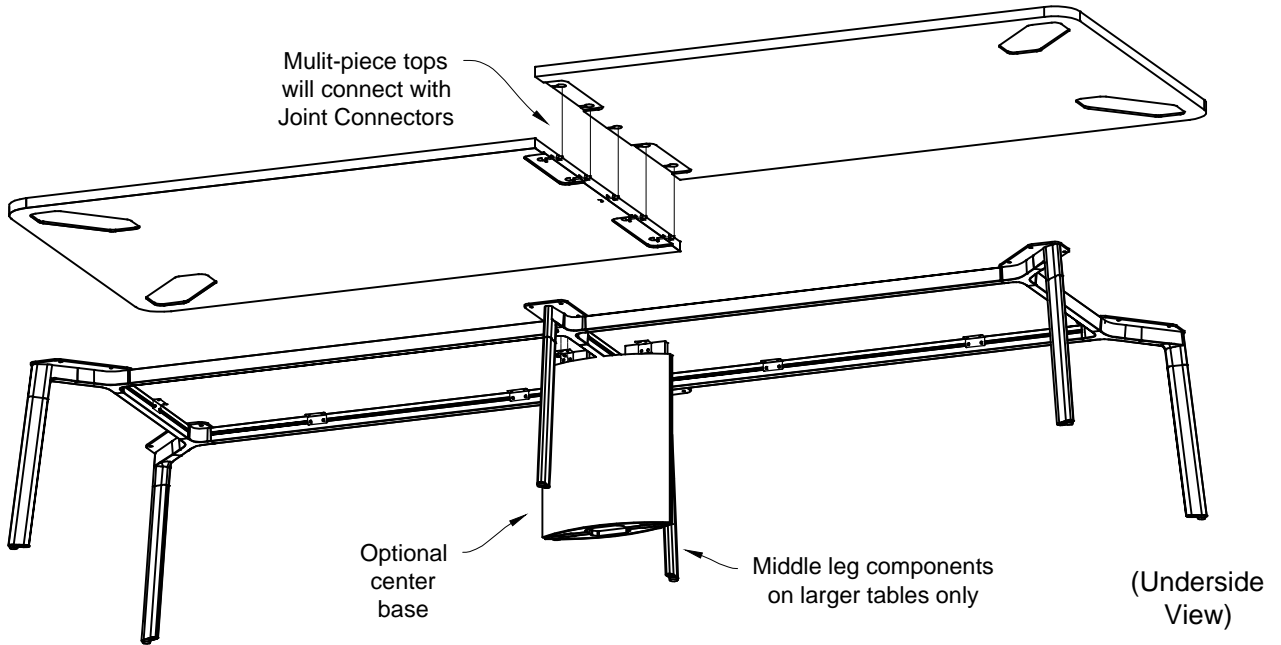
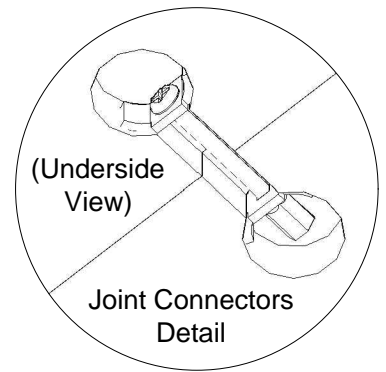
** See Typical Connections on pages 1-3 for connection details.



TOP ATTACHMENT DETAILS

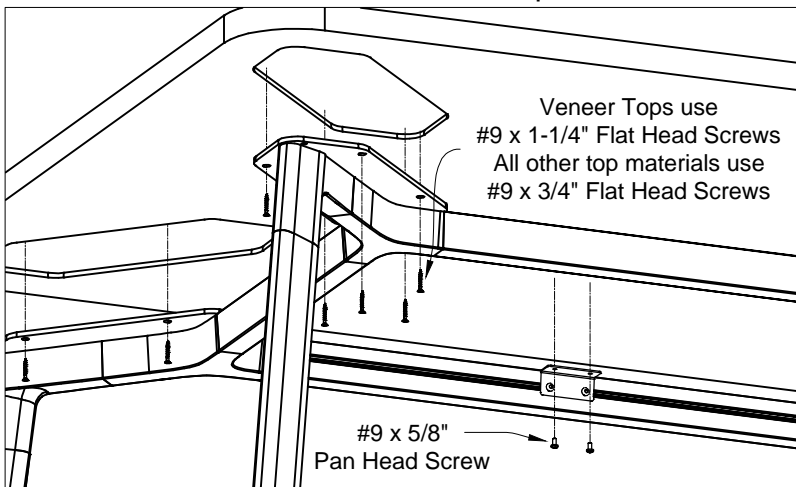
** All size tops and shapes will attach using same hardware and connection method.

1. Connect multi-piece tops using Joint Connectors.
2. Attach top to base by screwing mounting plates and attachment angles to the top.
3. Attach center base to top with angle irons. (Optional)



SCREW MOUNTING PLATES & ATTACHMENT ANGLES TO TOP:

** All mounting plate connections use same hardware and connection method for top attachment.



CENTER BASE ATTACHMENT:

