

INSTALLATION GUIDE
Massif Tables

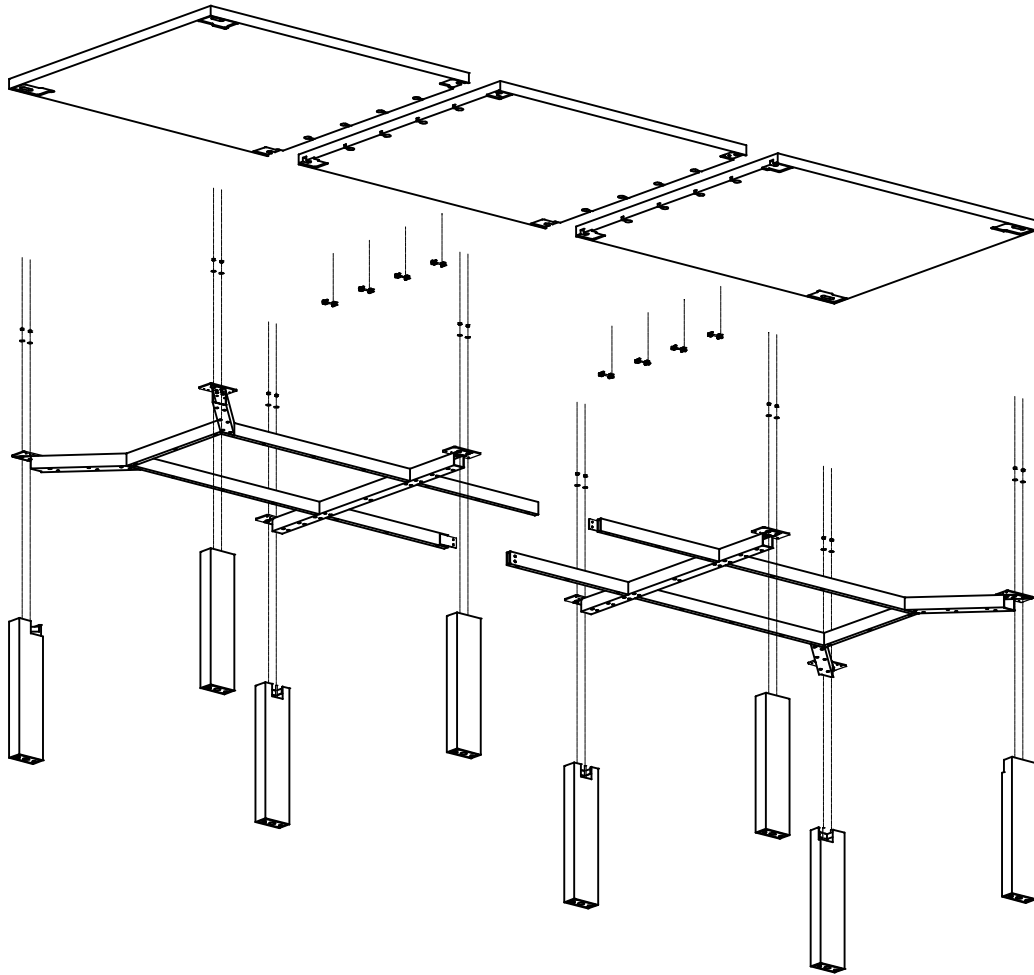
April 1, 2017

TUOHY

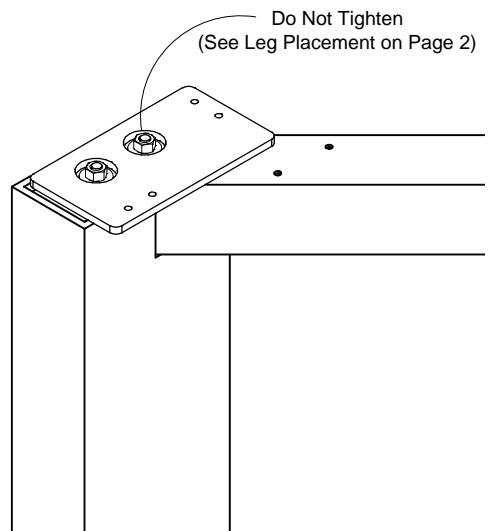
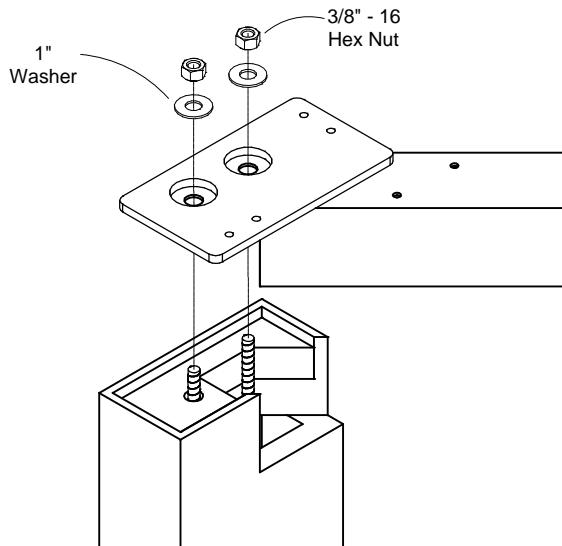


Massif Table Assembly

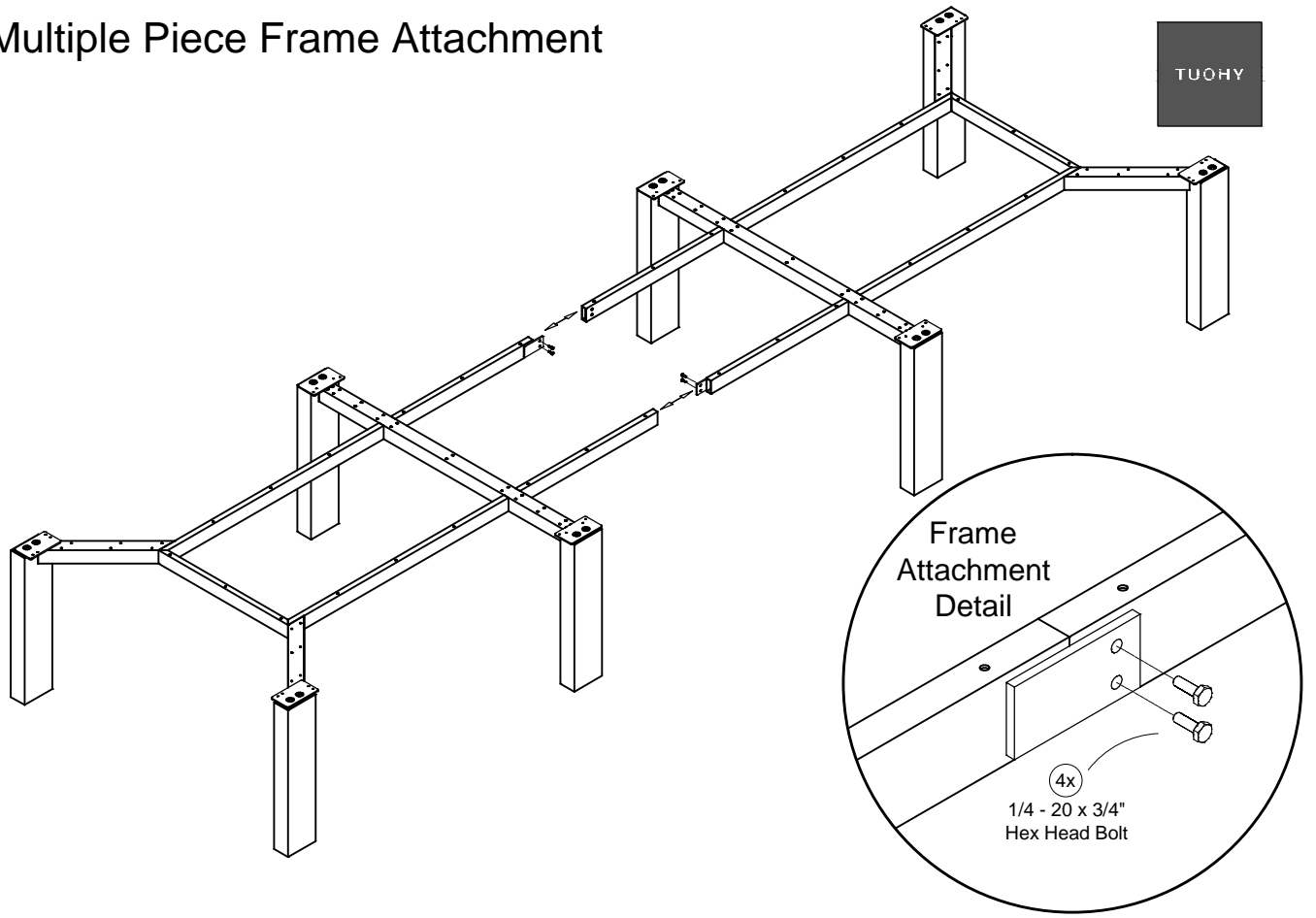
(Underside View)



Leg to Frame Attachment Detail



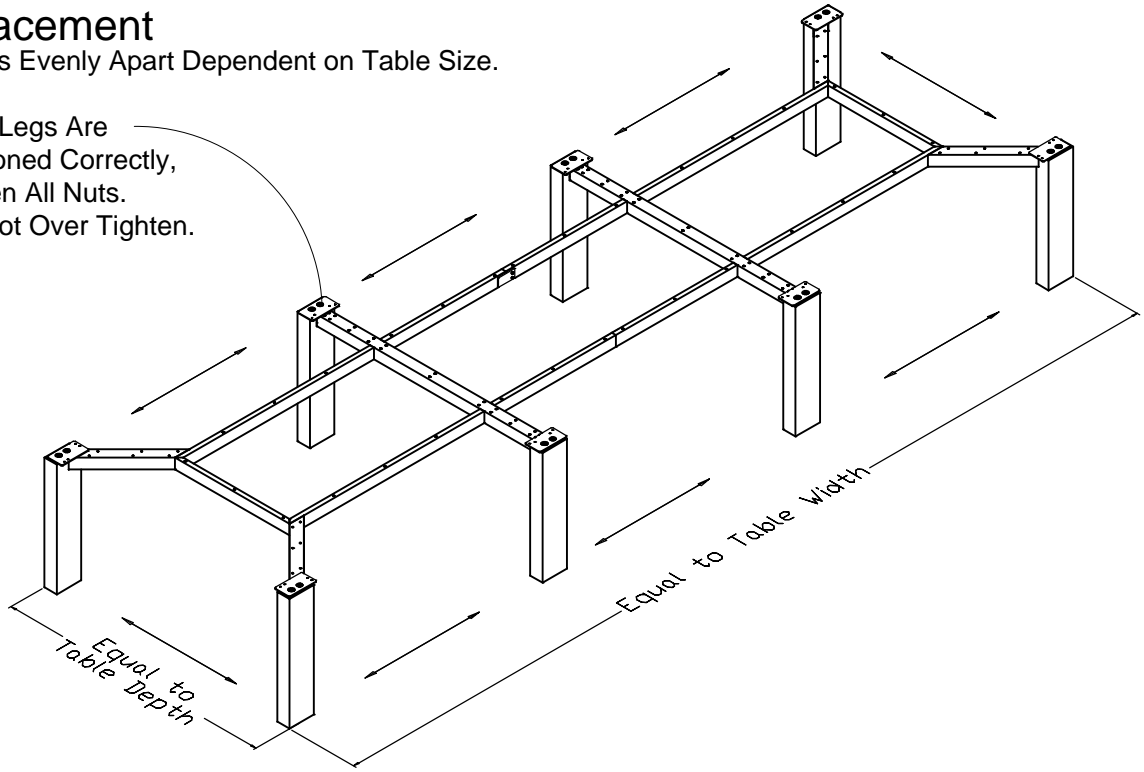
Multiple Piece Frame Attachment



Leg Placement

Space Legs Evenly Apart Dependent on Table Size.

Once Legs Are Positioned Correctly, Tighten All Nuts.
*Do Not Over Tighten.

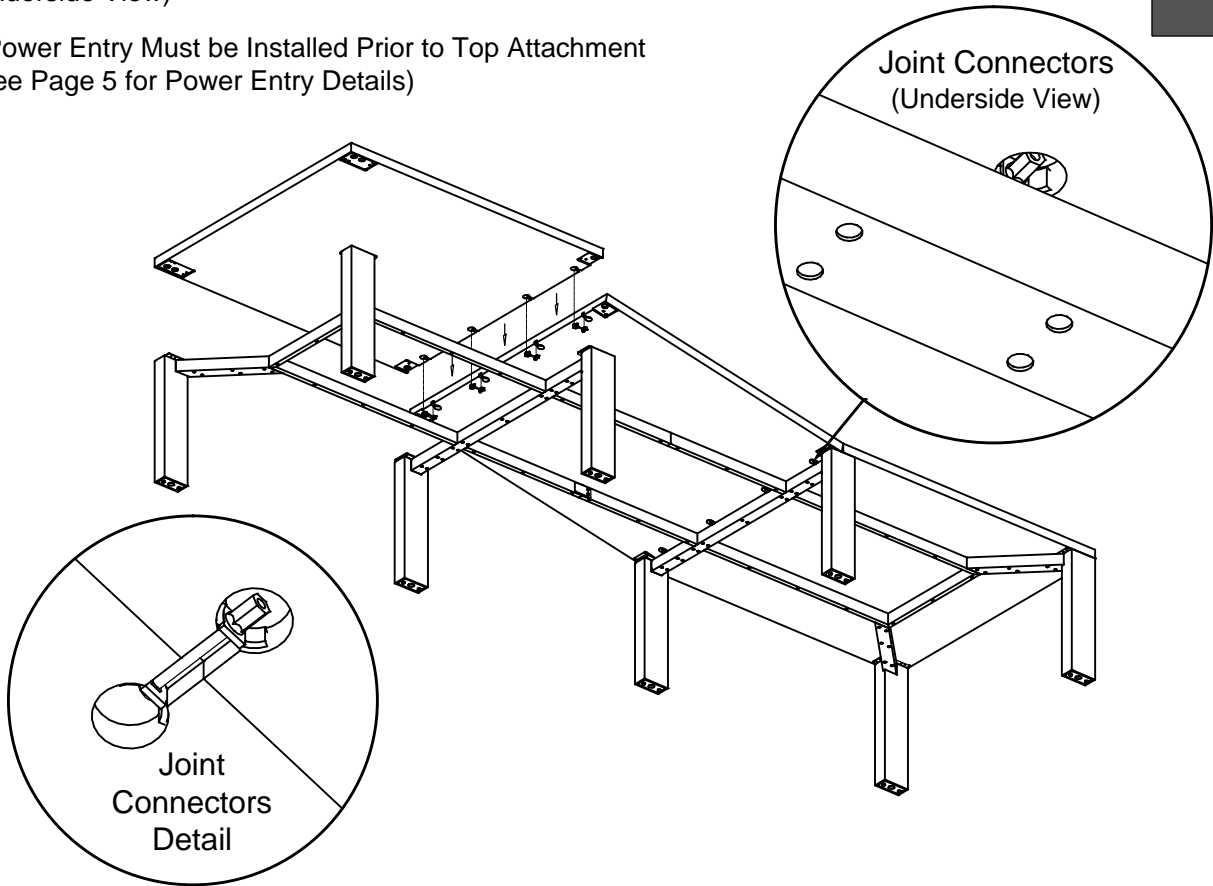


Top Attachment

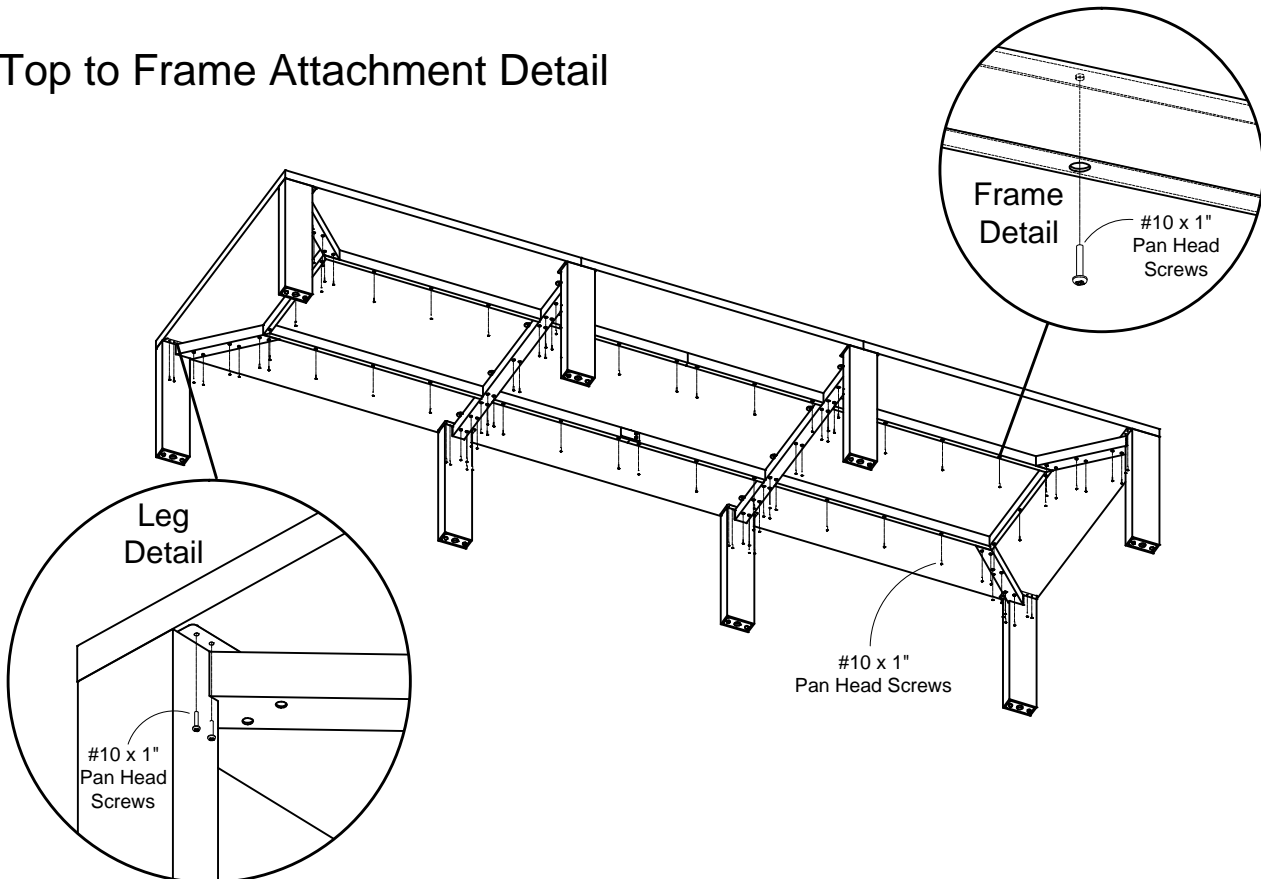
(Underside View)



* Power Entry Must be Installed Prior to Top Attachment
(See Page 5 for Power Entry Details)

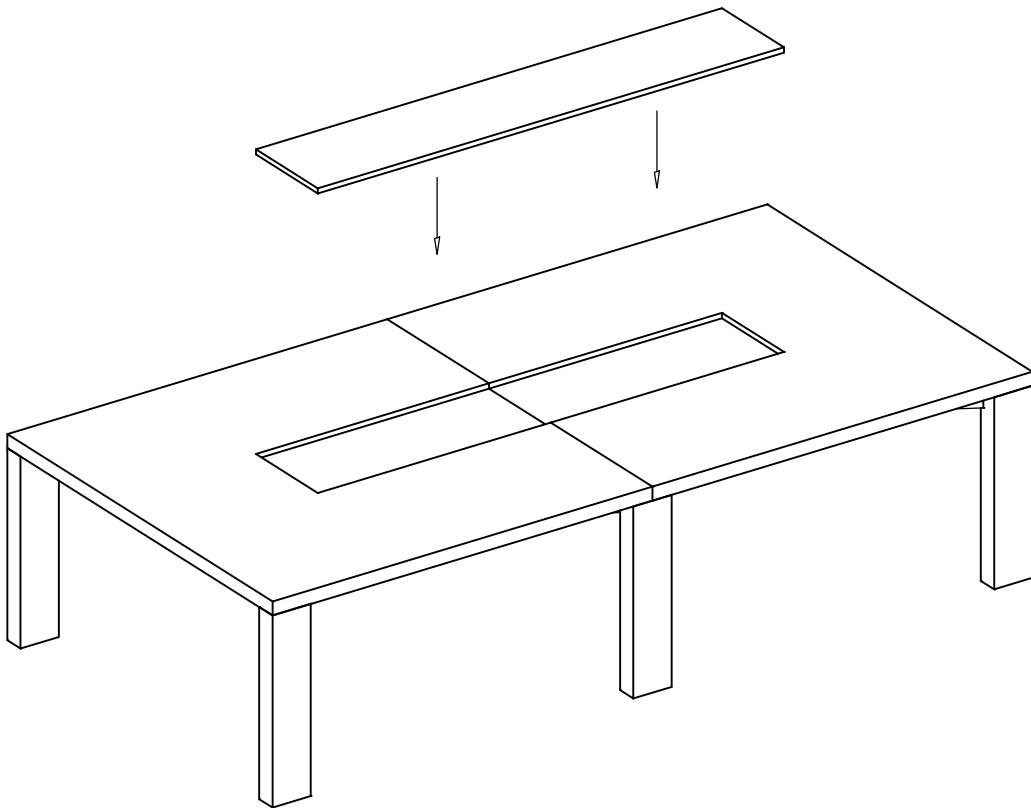
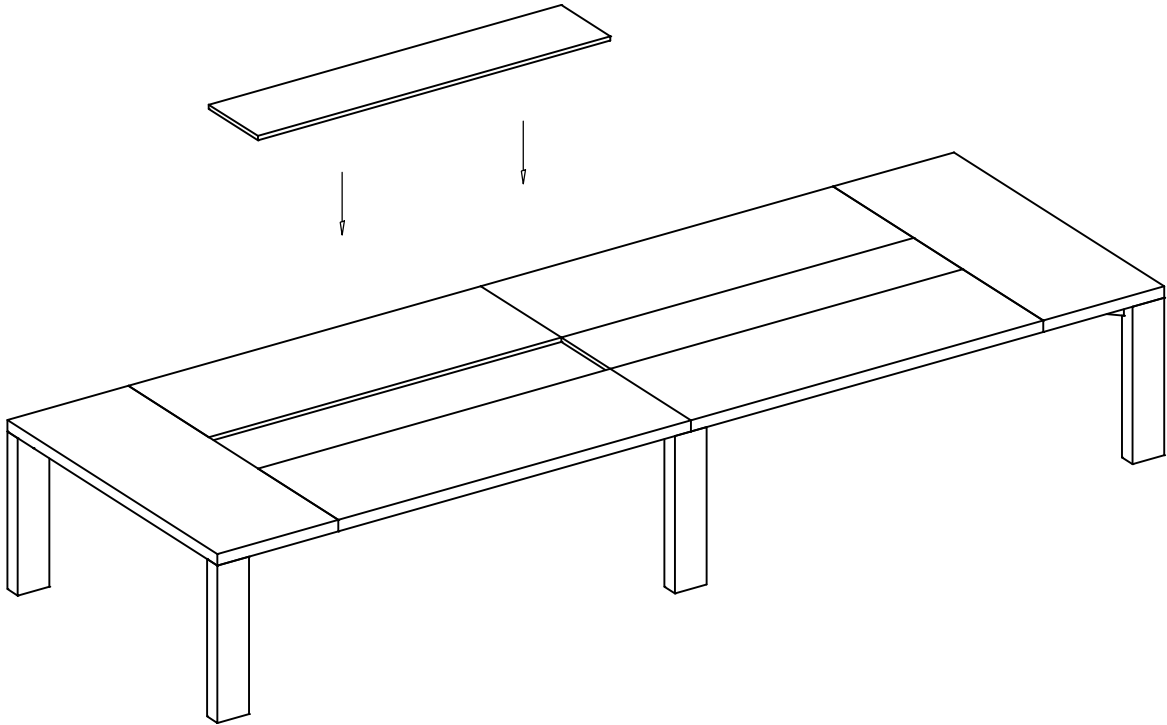


Top to Frame Attachment Detail

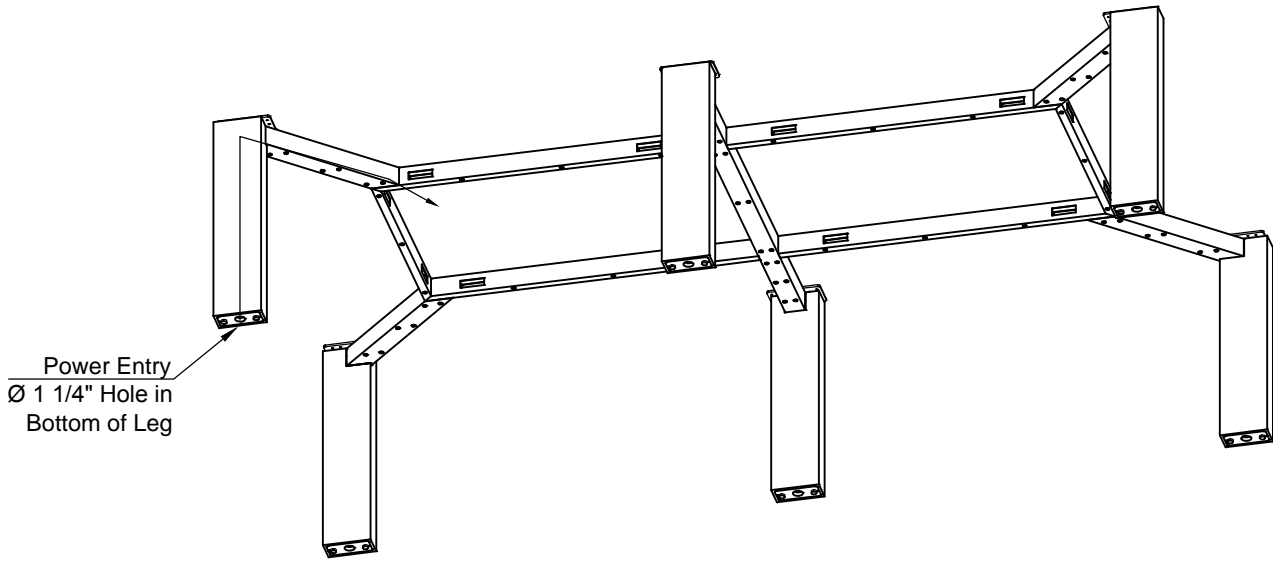


Top Insert

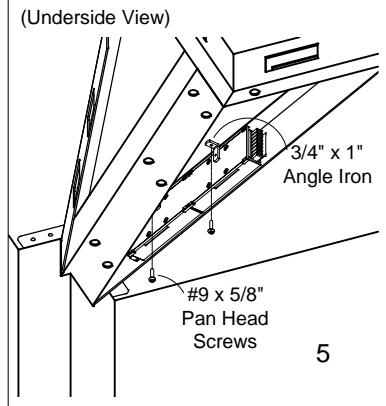
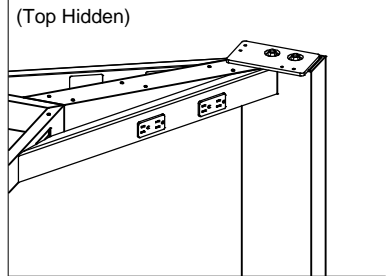
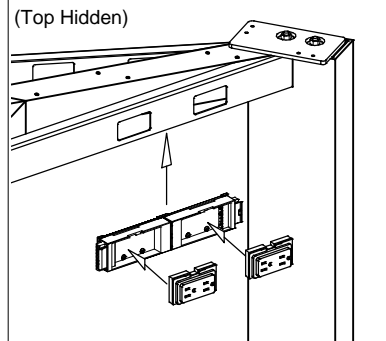
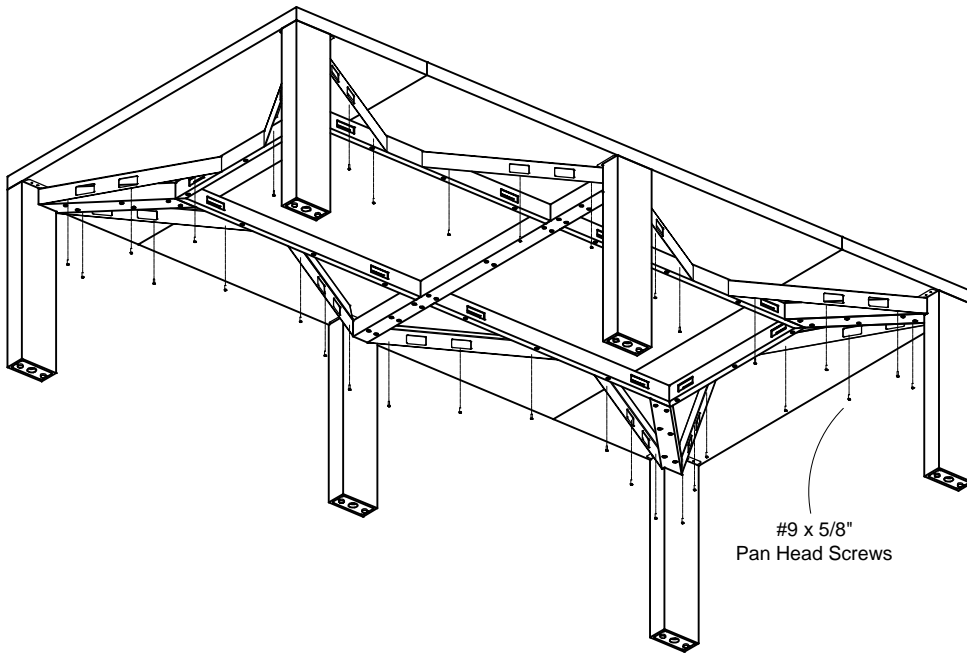
Install Insert with Silicone Adhesive



Wire Management - Power Entry



Power Aprons



Electrical / Wire Management



Aprons May be Straight or Angled Between Legs.
(See Included Wiring Diagram for Wiring Specific to Purchased Table.)

